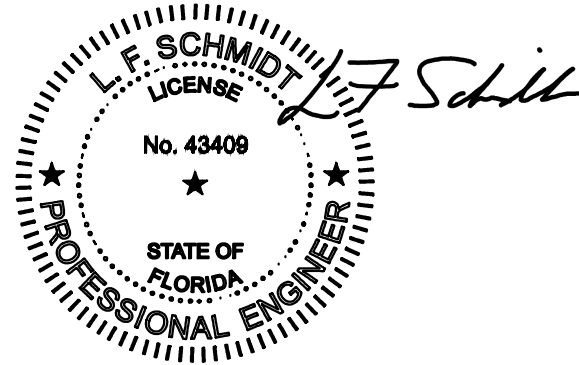


THERMA-TRU[®] DOORS

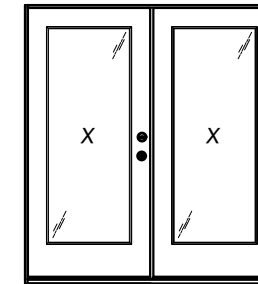
Fiber-Classic[®] & Smooth-Star[®]

COMPOSITE EDGE FLUSH GLAZED FIBERGLASS DOUBLE DOOR w/ or w/out SIDELITES IN SWING/OUT SWING "IMPACT"

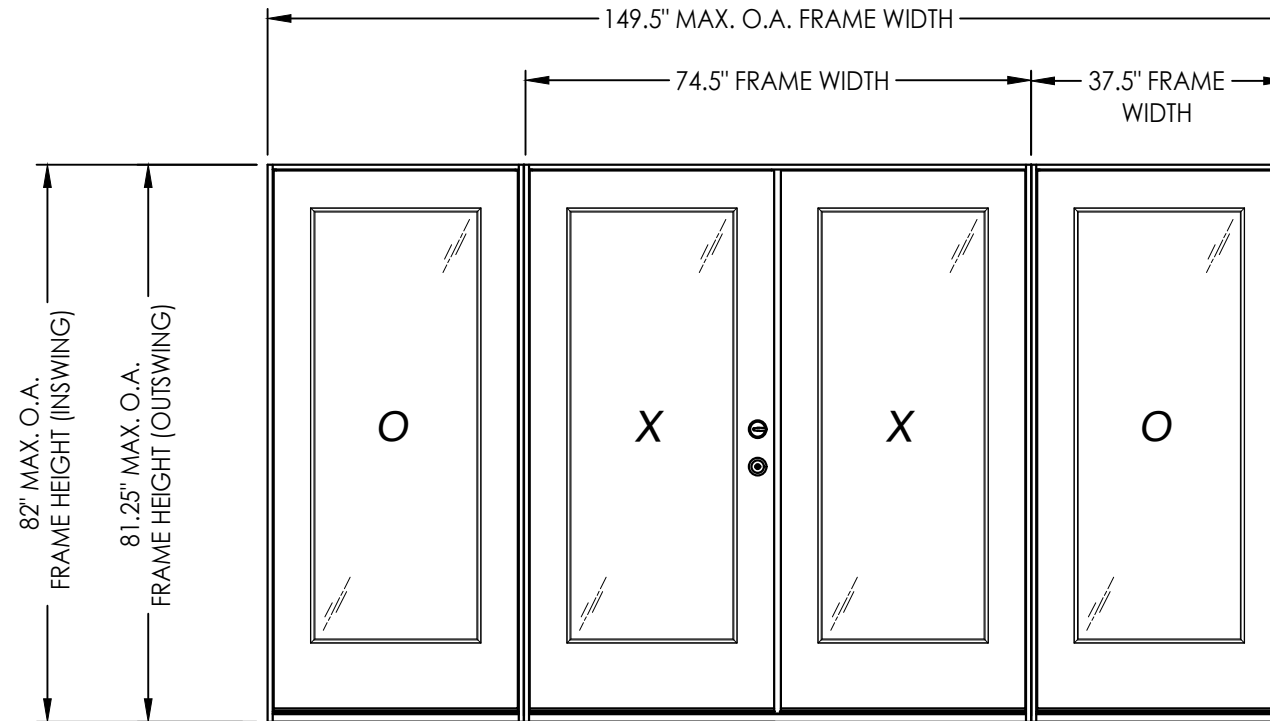


This item has been digitally signed and sealed by L. F. Schmidt, P.E. on the date adjacent to the seal. Printed copies of this document are not considered signed and sealed and the signature must be verified on any electronic copies.

THIS PRODUCT APPROVAL IS VALID ONLY FOR THE STATE OF FLORIDA



XX



GENERAL NOTES

1. This product has been evaluated and is in compliance with the 8th Edition (2023) Florida Building Code (FBC) structural requirements excluding the "High Velocity Hurricane Zone" (HVHZ).
2. Product anchors shall be as listed and spaced as shown on details. Anchor embedment to base material shall be beyond wall dressing or stucco.
3. When used in areas requiring wind borne debris protection this product complies with FBC Sections 1609.1.2 & R301.2.1.2 and does not require an impact resistant covering. This product meets missile level "D" and excludes Wind Zone 4 as defined in ASTM E1996 and FBC Sections 1609.1.2.2 & R301.2.1.2.1.
4. For 2x stud framing construction, anchoring of these units shall be the same as that shown for 2x buck masonry construction.
5. Site conditions that deviate from the details of this drawing require further engineering analysis by a licensed engineer or registered architect.
6. Fiber-Classic & Smooth-Star Door panel require the use of "J" part numbers and must be stained or painted within six months of installation.

TABLE OF CONTENTS

SHEET #	DESCRIPTION	SHEET#	
1	Typical Elevations, Design Pressures & General Notes	8	Horizontal Cross Sections
2	Door Panel Details	9	Vertical Cross Sections (Thresholds)
3	Sidelite Panel & Glazing Details	10	Buck Anchoring
4	Elevations	11	Frame Anchoring
5	Horizontal & Vertical Cross Sections (2X Buck)	12	Hardware Details
6	Horizontal & Vertical Cross Sections (1X Buck)	13	Bill of Materials & Components
7	Horizontal & Vertical Cross Sections (Direct to Masonry)		

CONFIGURATION	DESIGN PRESSURE (PSF) INSWING		DESIGN PRESSURE (PSF) OUTSWING	
	POSITIVE	NEGATIVE	POSITIVE	NEGATIVE
XX	+50.0	-50.0	+50.0	-50.0
OXXO	+50.0	-50.0	+50.0	-50.0

Documents Prepared By:
Lyndon F. Schmidt
P.E. No. 43409

RW BUILDING CONSULTANTS, INC.
P.O. Box 230, Valrico, FL 33595
Phone No.: 813.659.9197
FBPE Registry No. 9813

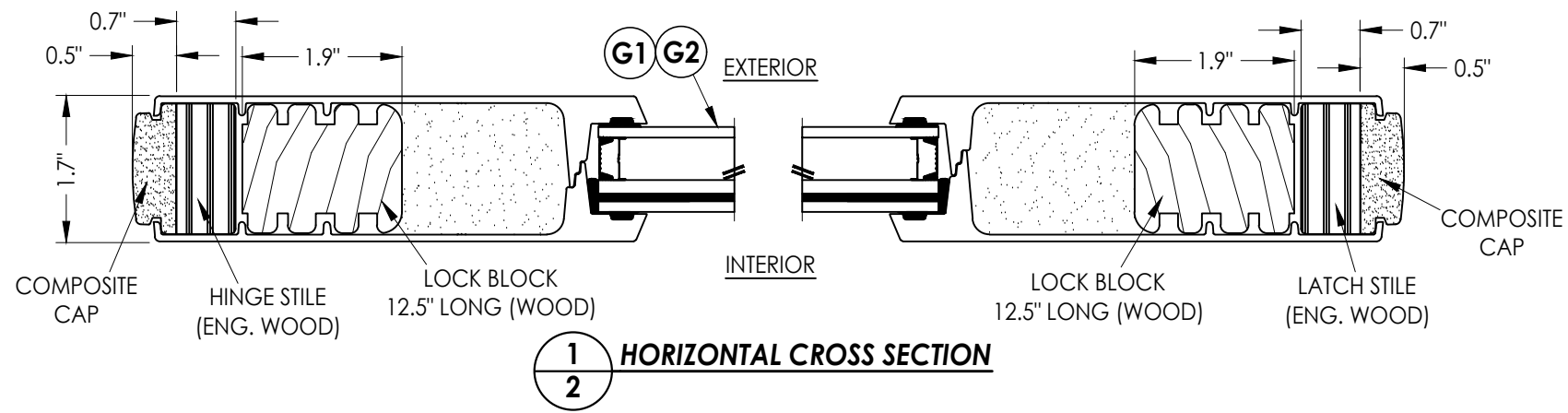
PRODUCT:
THERMA-TRU
FIBERGLASS DOOR

PART OR ASSEMBLY:
TYPICAL ELEVATION, DESIGN
PRESSURES & GENERAL NOTES

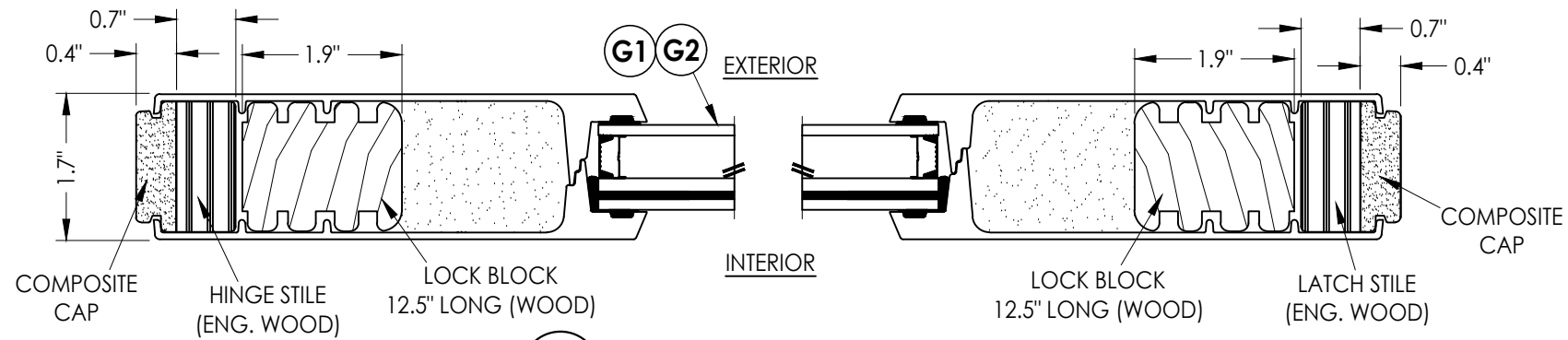
NO.	DATE	BY	REVISIONS

DATE: 6/17/24
SCALE: N.T.S.
DWG. BY: LFS
CHK. BY: RW
DRAWING NO.:
FL-46832.3
SHEET 1 OF 13

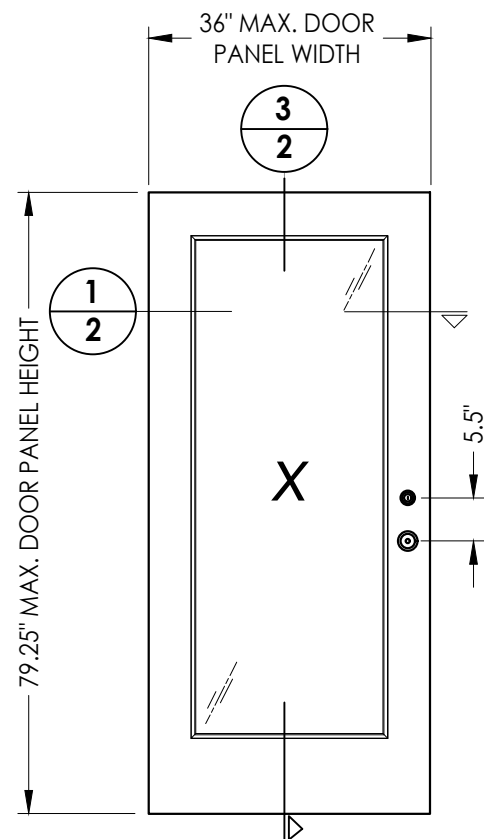
Z:\2023 FBC Drawings\Therma-Tru\FL-46832\FL-46832.1-3.dwg



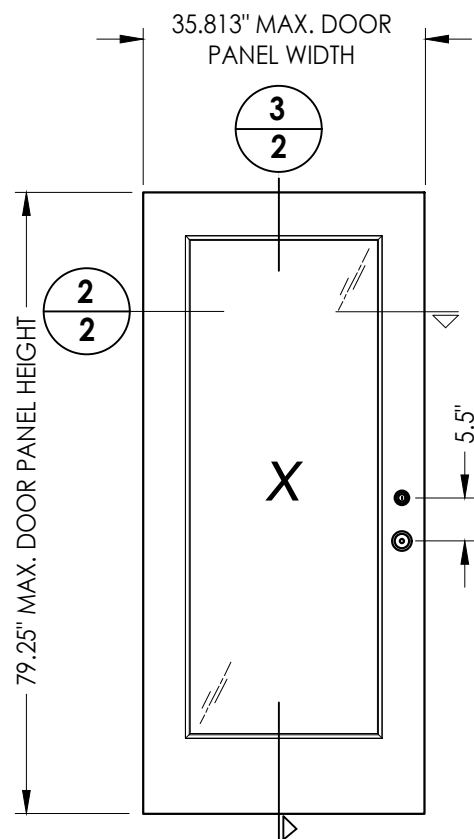
1 HORIZONTAL CROSS SECTION
2



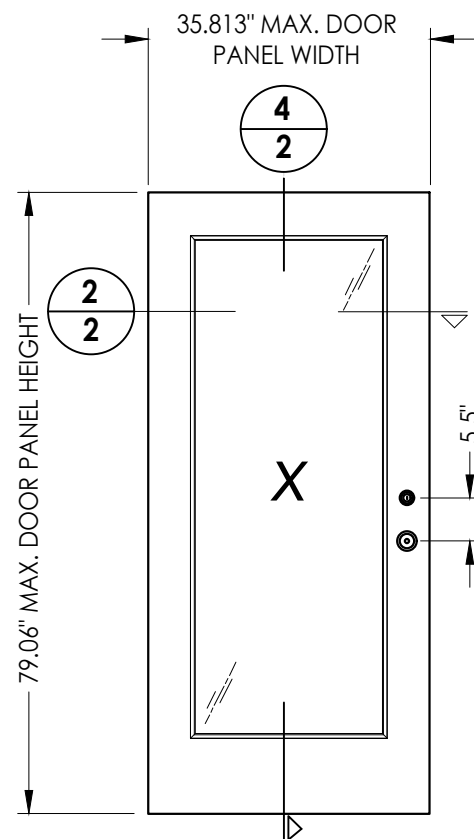
2 HORIZONTAL CROSS SECTION
2



40 FIBERGLASS DOOR PANEL
BOOK DOOR - COMPOSITE EDGE

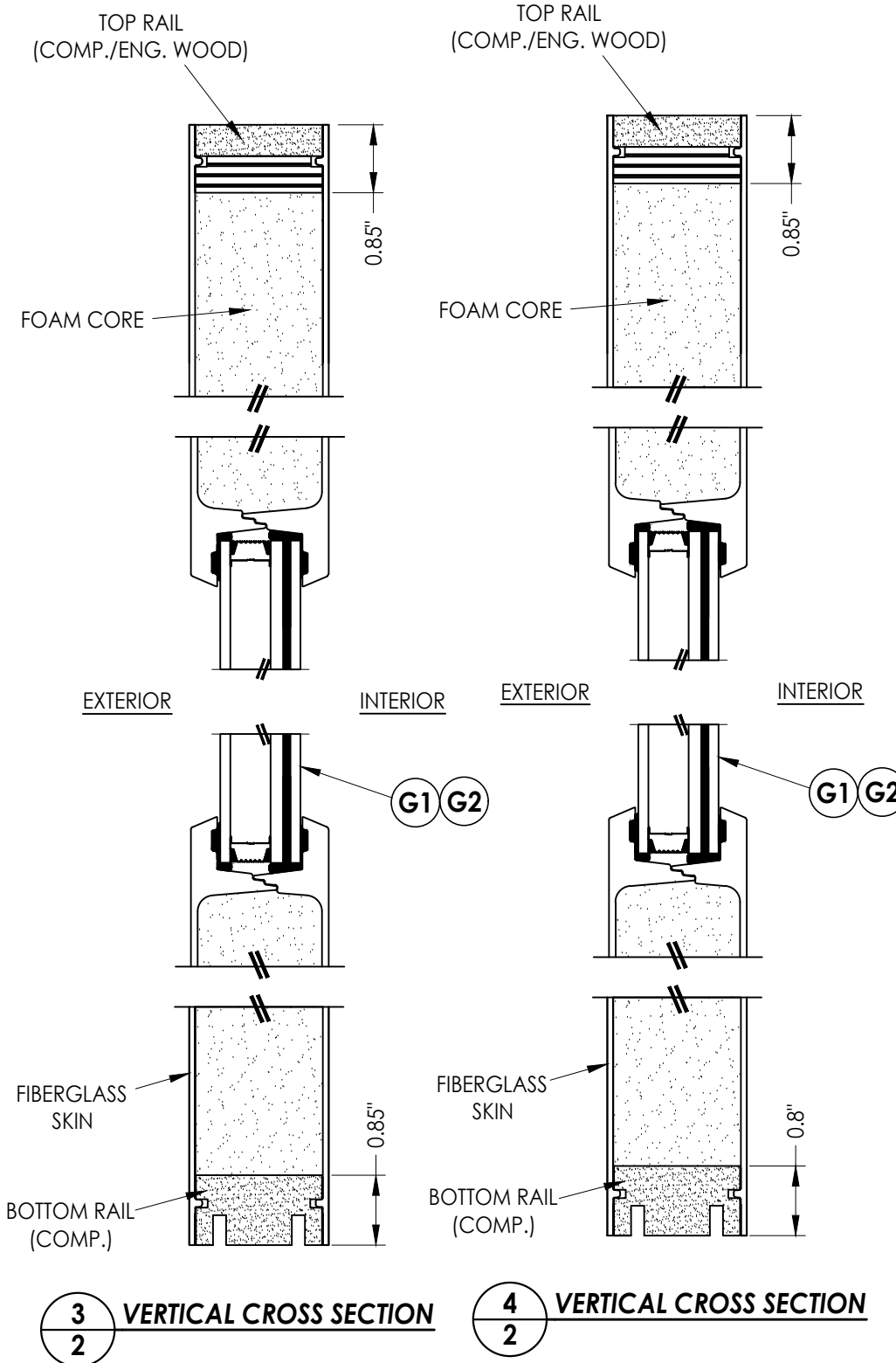


41 FIBERGLASS DOOR PANEL
HYBRID DOOR - COMPOSITE EDGE



42 FIBERGLASS DOOR PANEL
U1 DOOR - COMPOSITE EDGE

FIBERGLASS SKIN: 0.077" MIN. THK.
FOAM CORE: POLYURETHANE -1.9 PCF MIN.



3 VERTICAL CROSS SECTION
2

4 VERTICAL CROSS SECTION
2

Documents Prepared By:
Lyndon F. Schmidt
P.E. No. 4-3409

PRODUCT:
THERMA-TRU
FIBERGLASS DOOR

PART OR ASSEMBLY:
DOOR PANEL DETAILS

NO.	DATE	BY

DATE: 6/17/24

SCALE: N.T.S.

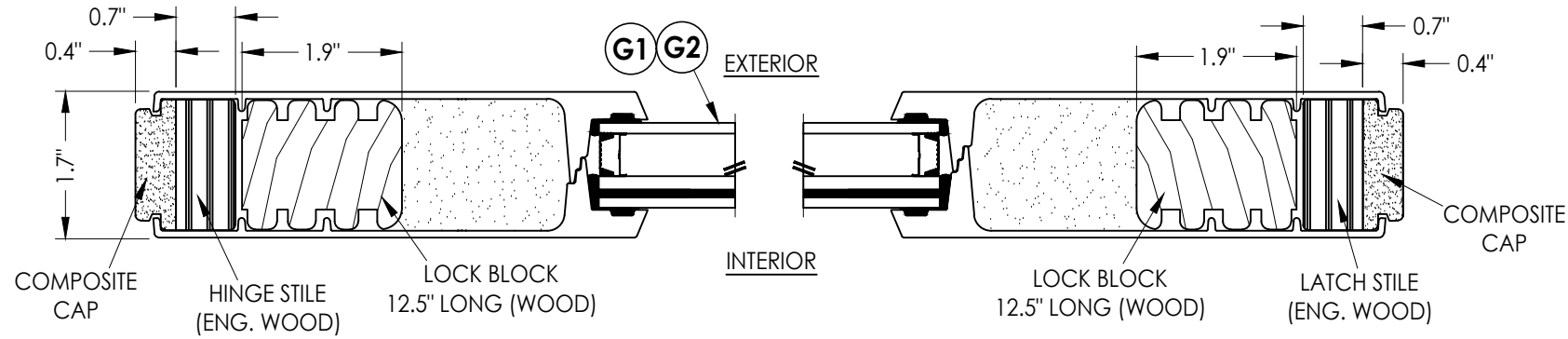
DWG. BY: LFS

CHK. BY: RW

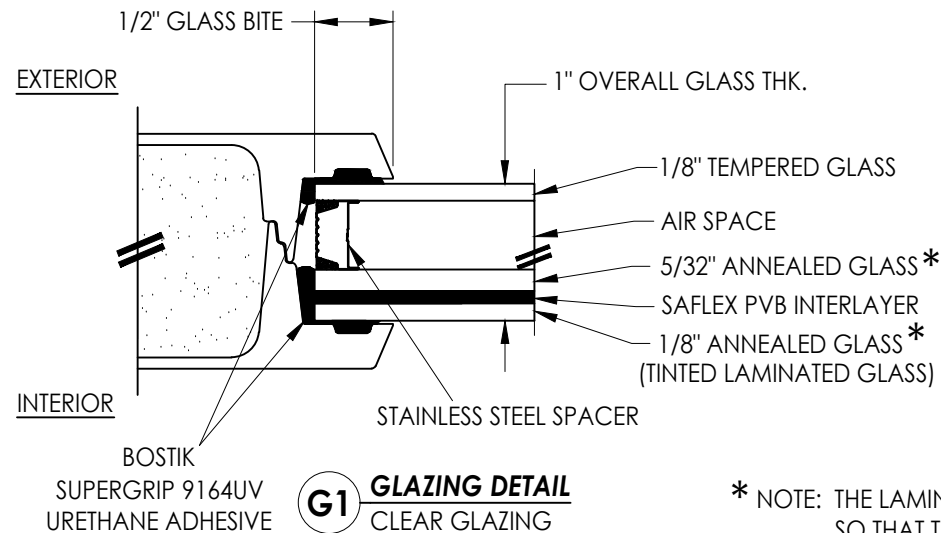
DRAWING NO.:
FL-46832.3

SHEET 2 OF 13

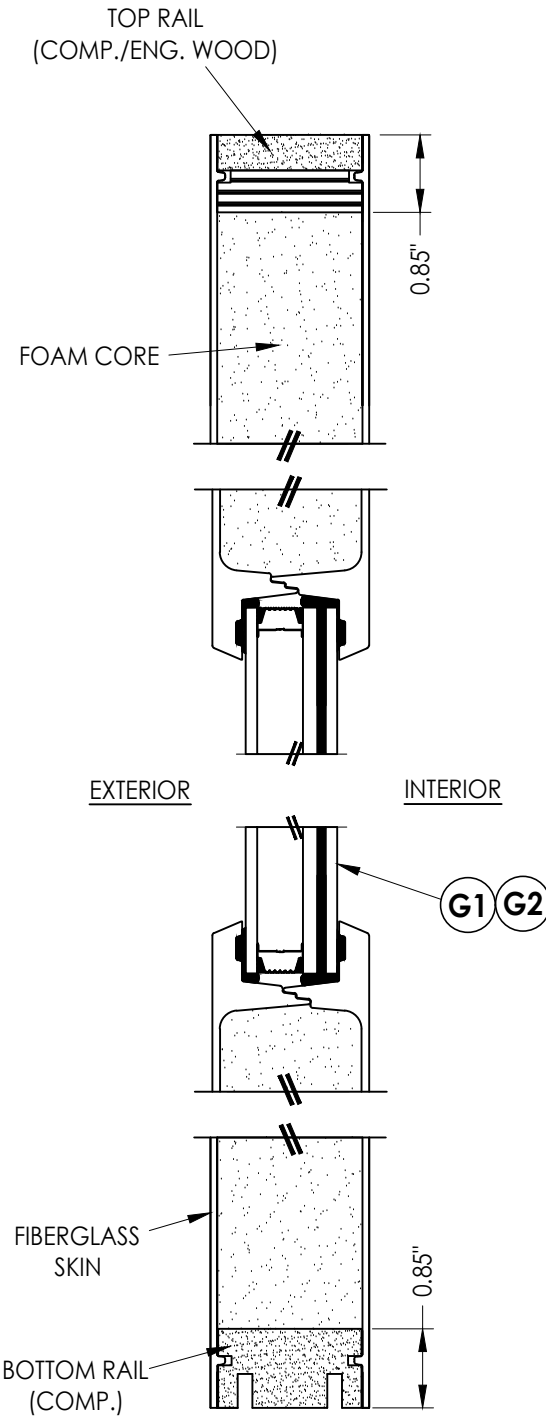
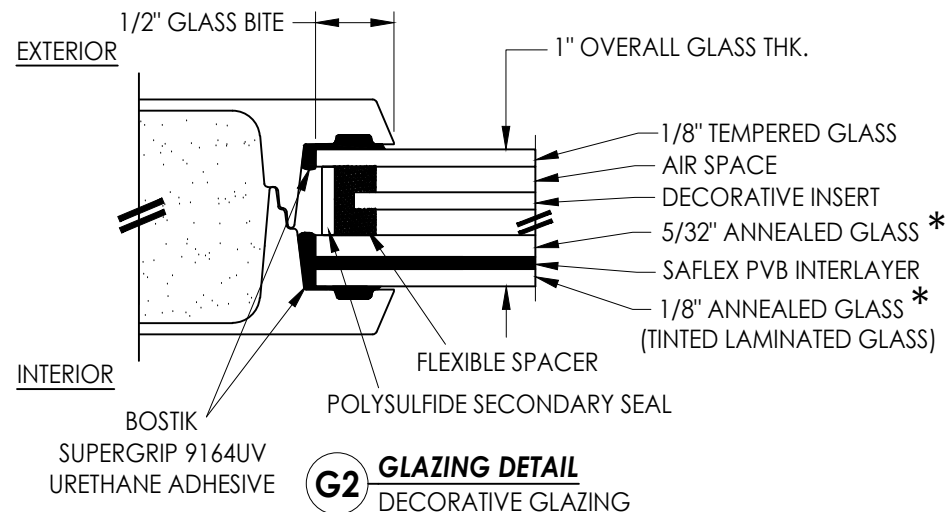
RW BUILDING CONSULTANTS, INC.
P.O. Box 230, Valrico, FL 33595
Phone No.: 813.659.9197
FBPE Registry No. 9813



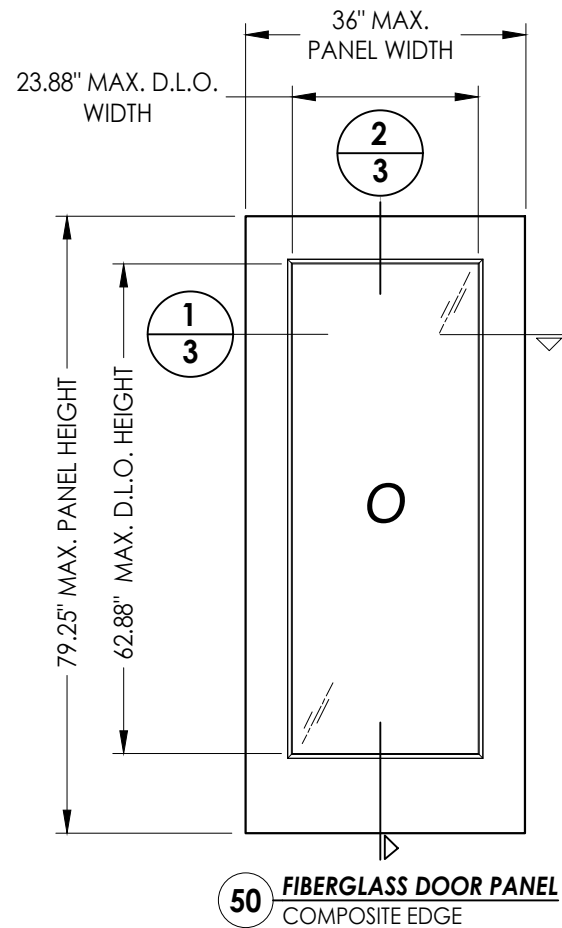
1
3 **HORIZONTAL CROSS SECTION**



* NOTE: THE LAMINATED GLASS MAY BE FLIPPED SO THAT THE 5/32\"/>



2
3 **VERTICAL CROSS SECTION**



50 **FIBERGLASS DOOR PANEL**
COMPOSITE EDGE

FIBERGLASS SKIN: 0.077\"/>

Documents Prepared By:
Lyndon F. Schmidt
P.E. No. 43409

RW BUILDING CONSULTANTS, INC.
P.O. Box 230, Valrico, FL 33595
Phone No.: 813.659.9197
FBPE Registry No. 9813

PRODUCT: THERMA-TRU
FIBERGLASS DOOR

PART OR ASSEMBLY:
SIDELITE PANEL
& GLAZING DETAILS

NO.	DATE	BY

DATE: 6/17/24

SCALE: N.T.S.

DWG. BY: LFS

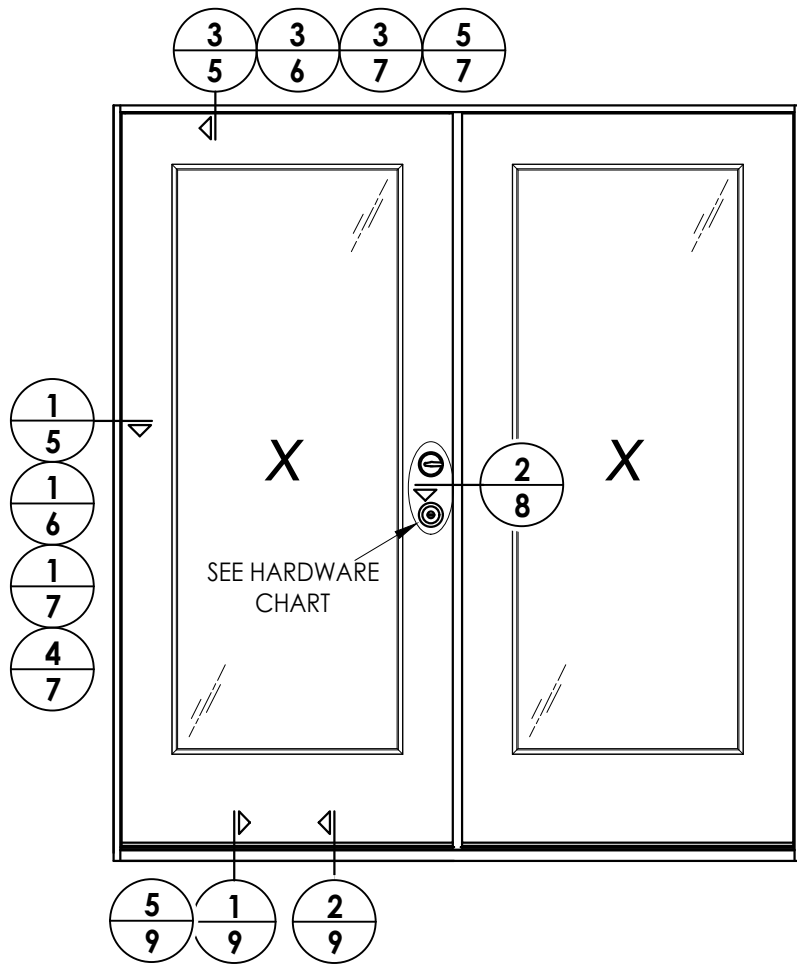
CHK. BY: RW

DRAWING NO.:

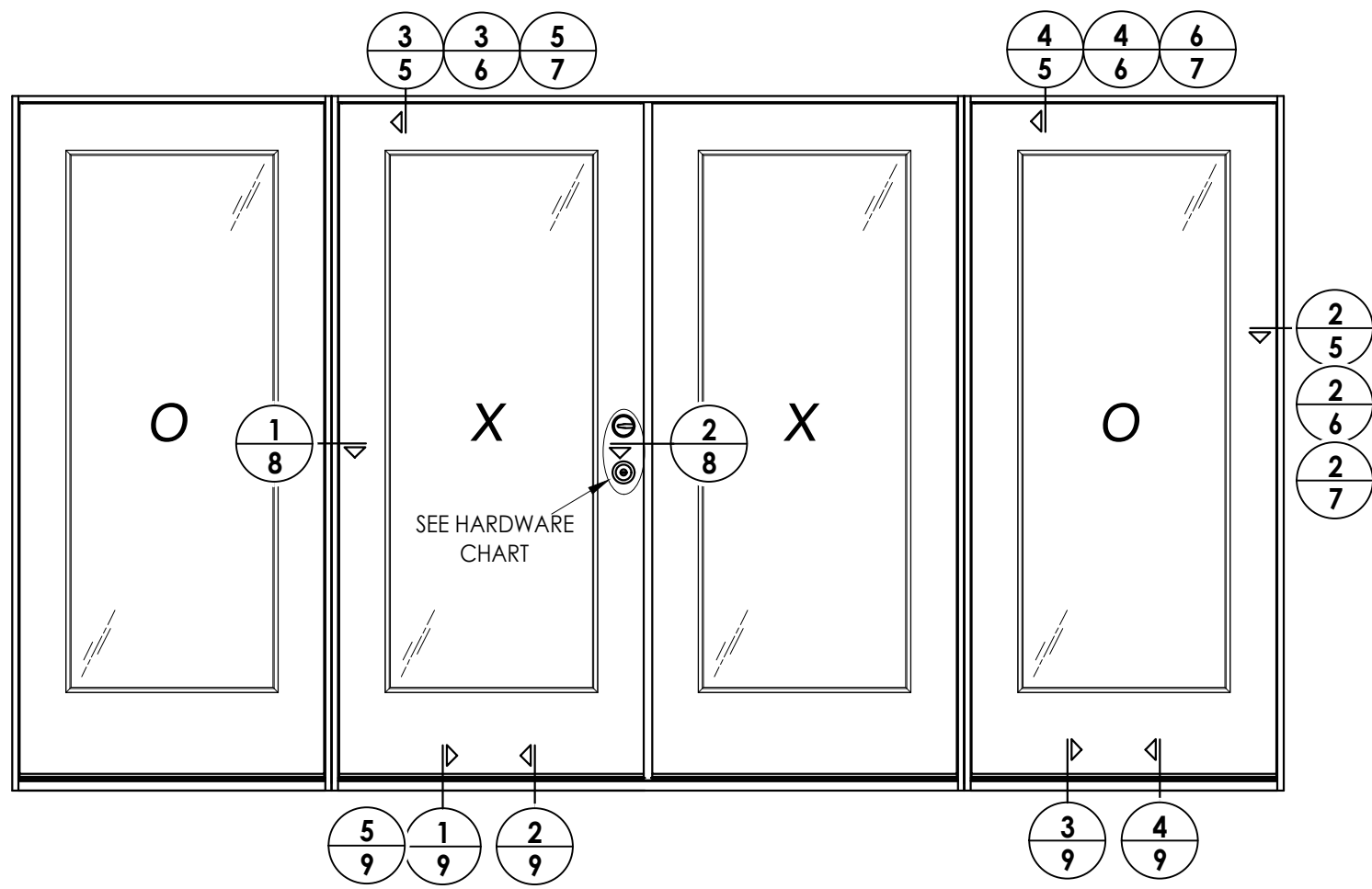
FL-46832.3

SHEET 3 OF 13

Z:\2023 FBC Drawings\Therma-Tru\FL-46832\FL-46832.1-3.dwg



ELEVATION
XX



ELEVATION
OXXO

HARDWARE TABLE	
MANUFACTURER	MODEL
SCHLAGE	KNOB: F51 DEADBOLT: B60
KWIKSET	KNOB: SIGNATURE SERIES DEADBOLT: SIGNATURE SERIES (980)
HOPPE (THERMA-TRU)	MULTIPOINT : MPDGSB (3 pt. Manual Shootbolt)

Documents Prepared By:
Lyndon F. Schmidt
P.E. No. 43409

RW BUILDING CONSULTANTS, INC.
P.O. Box 230, Valrico, FL 33595
Phone No.: 813.659.9197
FBPE Registry No. 9813

PRODUCT:
THERMA-TRU
FIBERGLASS DOOR

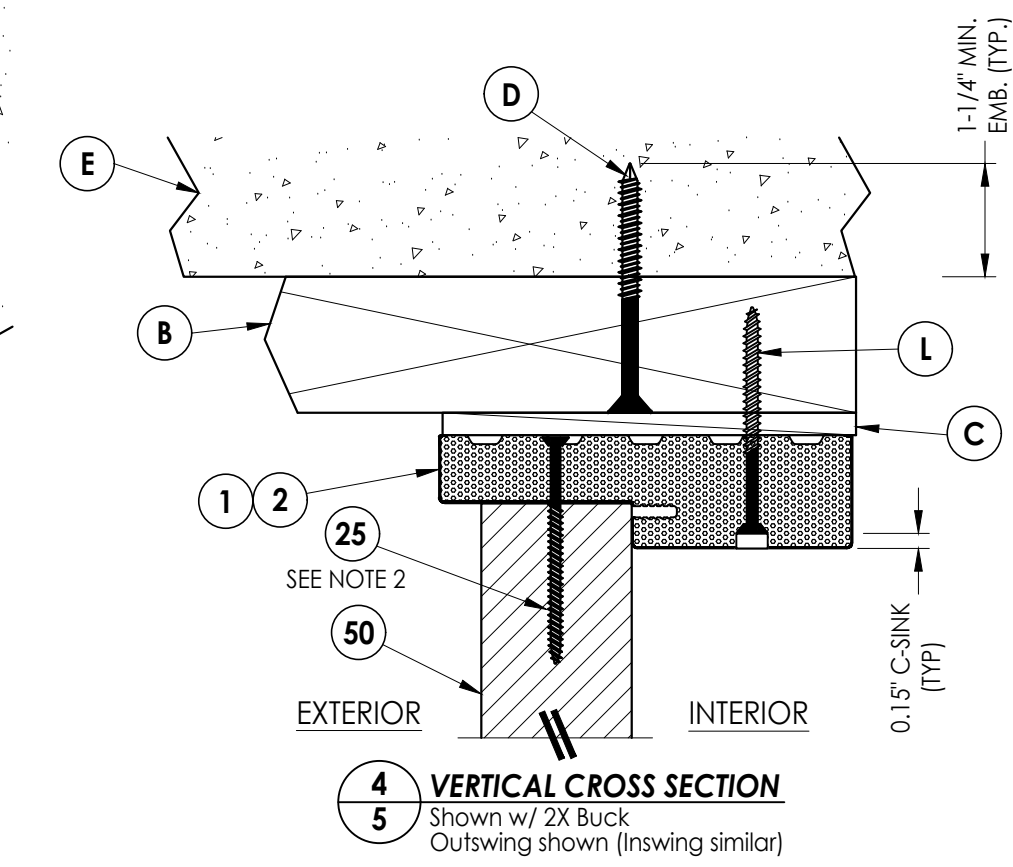
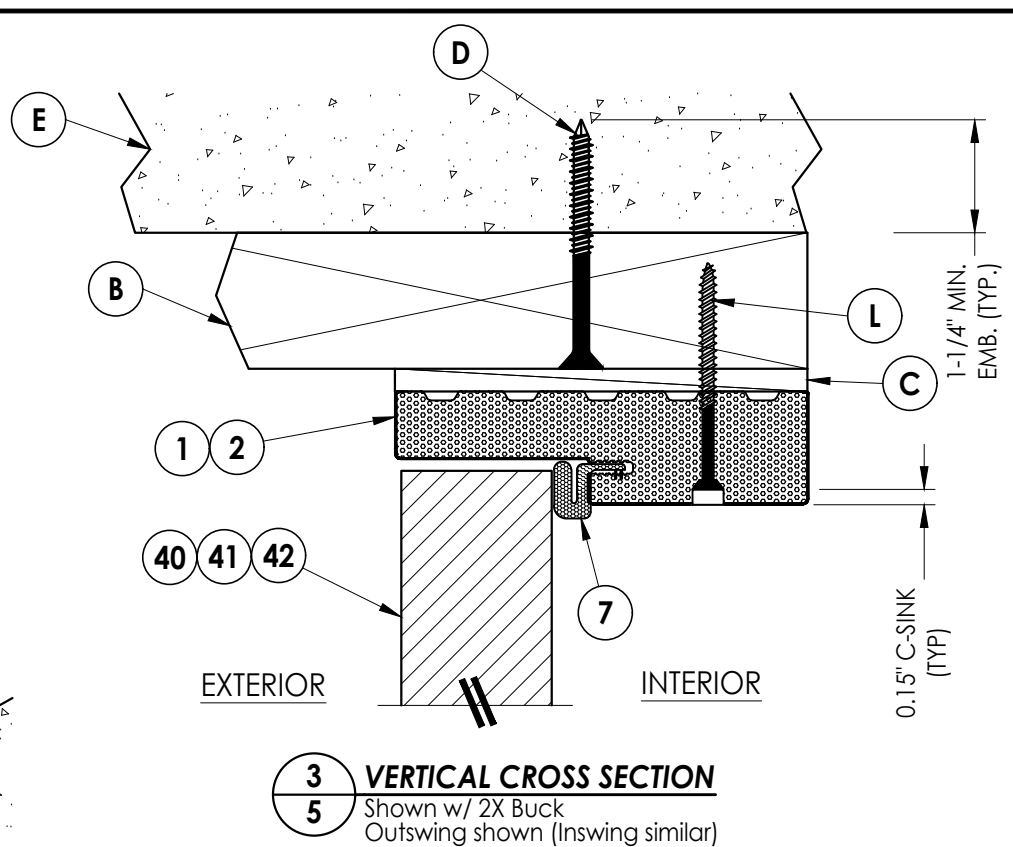
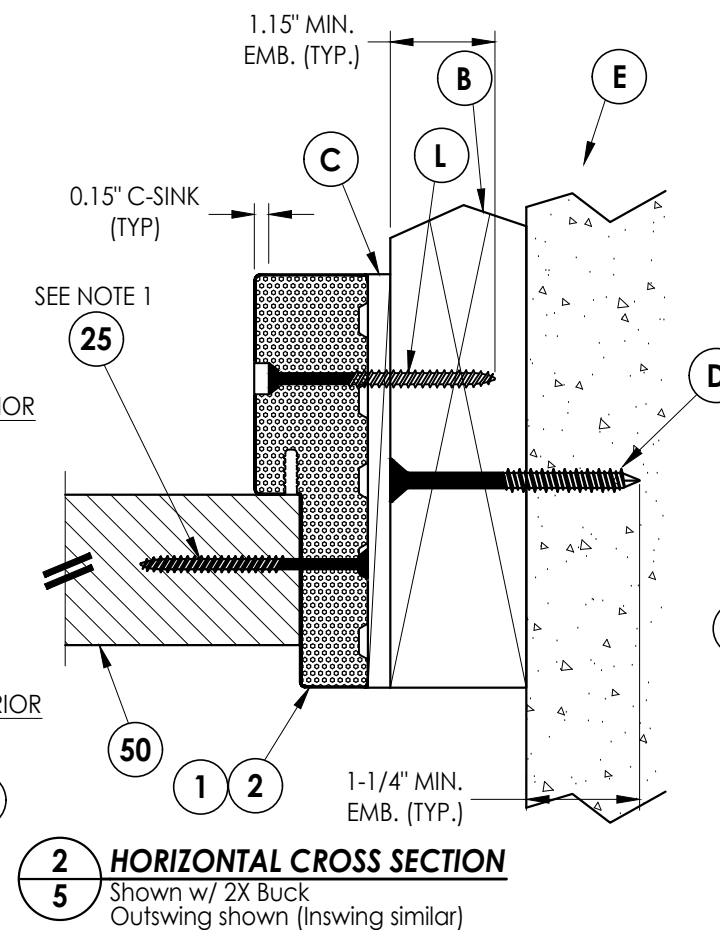
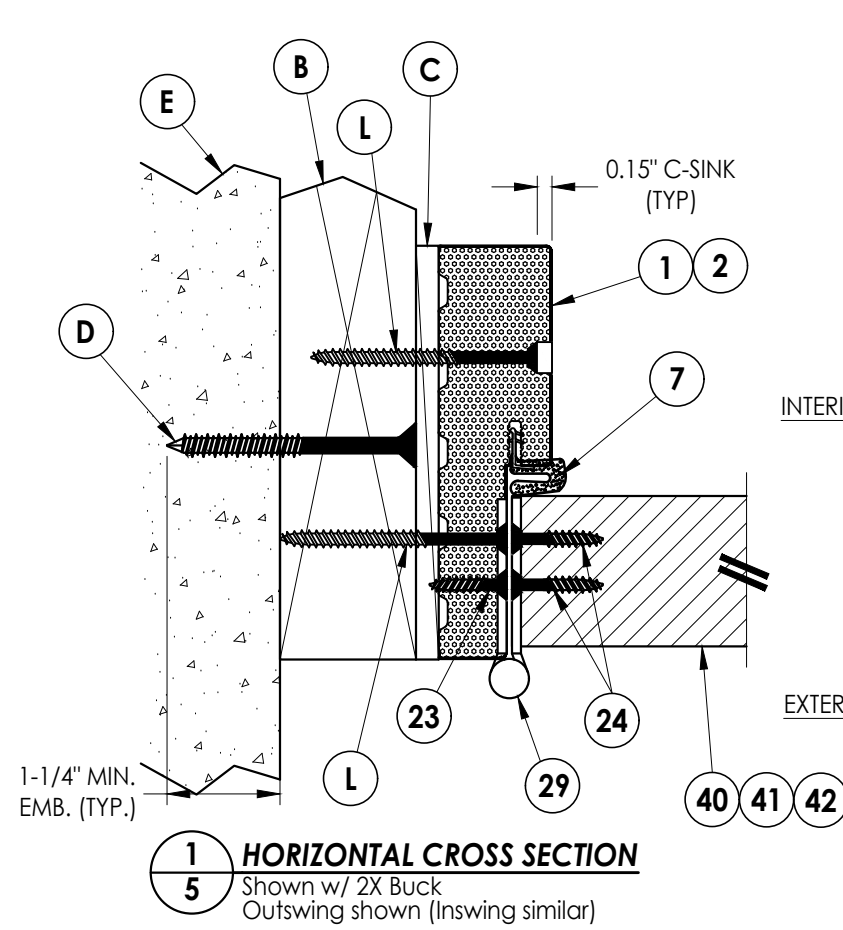
PART OR ASSEMBLY:
ELEVATIONS

NO.	DATE	BY

DATE: 6/17/24
SCALE: N.T.S.
DWG. BY: LFS
CHK. BY: RW
DRAWING NO.:
FL-46832.3
SHEET 4 OF 13

Notes:

- Sidelite assembly screws located 6" from each end and 6 more screws equally spaced between (8 screws total per side jamb).
- Sidelite assembly screws located 3" from each end & at centerline (3 screws total @ head).



Documents Prepared By:
 Lyndon F. Schmidt
 P.E. No. 43409

RW BUILDING CONSULTANTS, INC.
 P.O. Box 230, Valrico, FL 33595
 Phone No.: 813.659.9197
 FBPE Registry No. 9813

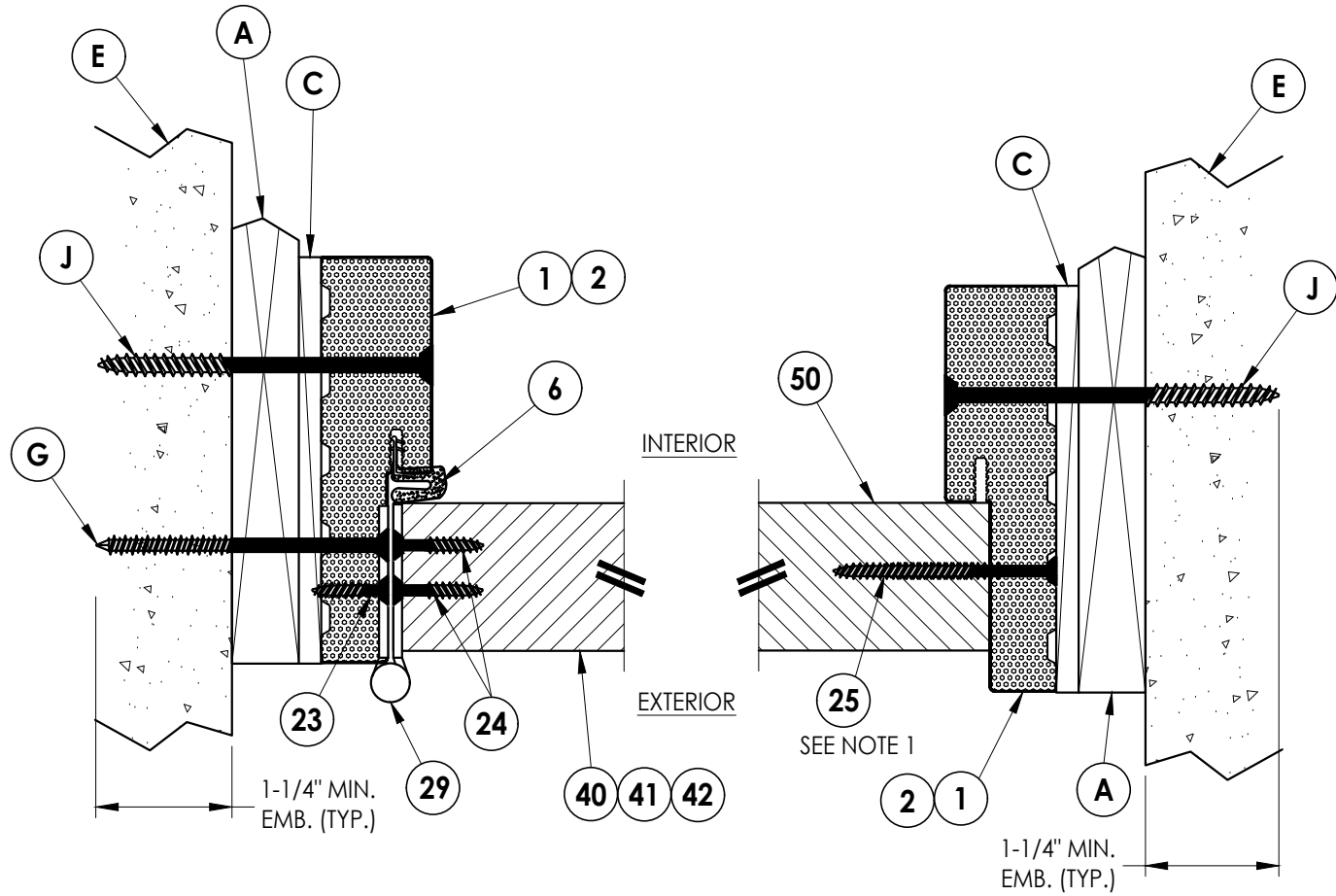
PRODUCT: THERMA-TRU FIBERGLASS DOOR
 PART OR ASSEMBLY: HORIZONTAL & VERTICAL CROSS SECTIONS (2X BUCK)

NO.	DATE	BY

DATE: 6/17/24
 SCALE: N.T.S.
 DWG. BY: RW
 CHK. BY: LFS
 DRAWING NO.: FL-46832.3
 SHEET 5 OF 13

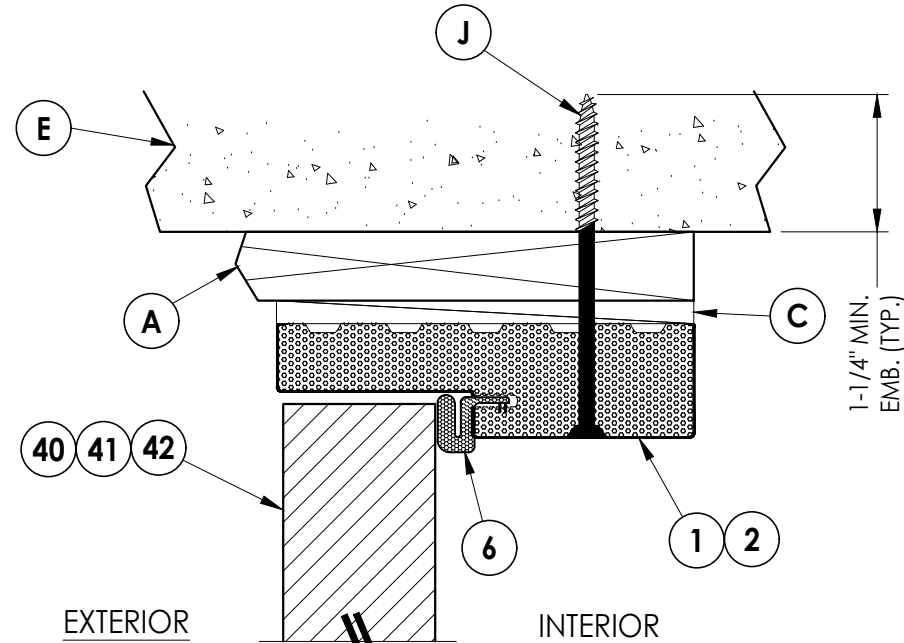
Notes:

- 1. Sidelite assembly screws located 6" from each end and 6 more screws equally spaced between (8 screws total per side jamb).
- 2. Sidelite assembly screws located 3" from each end & at centerline (3 screws total @ head).

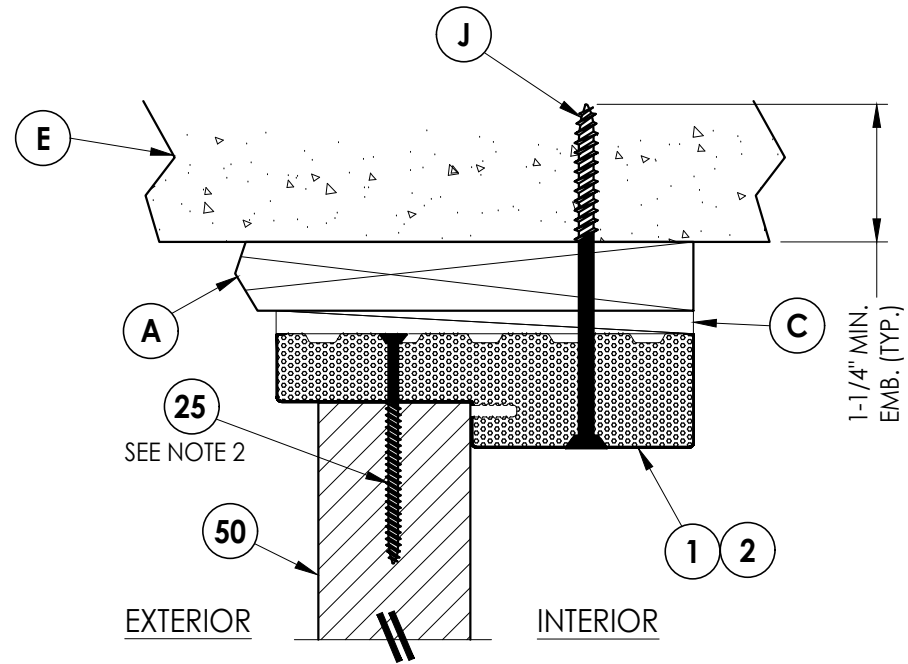


1
6 **HORIZONTAL CROSS SECTION**
Shown w/ 1X sub-buck
Outswing shown (Inswing similar)

2
6 **HORIZONTAL CROSS SECTION**
Shown w/ 1X sub-buck
Outswing shown (Inswing similar)



3
6 **VERTICAL CROSS SECTION**
Shown w/ 1X sub-buck
Outswing shown (Inswing similar)



4
6 **VERTICAL CROSS SECTION**
Shown w/ 1X sub-buck
Outswing shown (Inswing similar)

Documents Prepared By:
Lyndon F. Schmidt
P.E. No. 43409

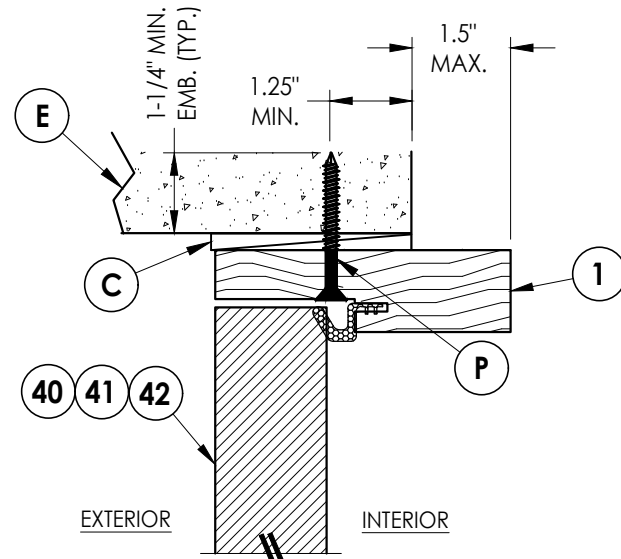
RW BUILDING CONSULTANTS, INC.
P.O. Box 230, Valrico, FL 33595
Phone No.: 813.659.9197
FBPE Registry No. 9813

PRODUCT: THERMA-TRU FIBERGLASS DOOR
PART OR ASSEMBLY:
HORIZONTAL & VERTICAL CROSS SECTIONS (1X BUCK)

NO.	DATE	BY

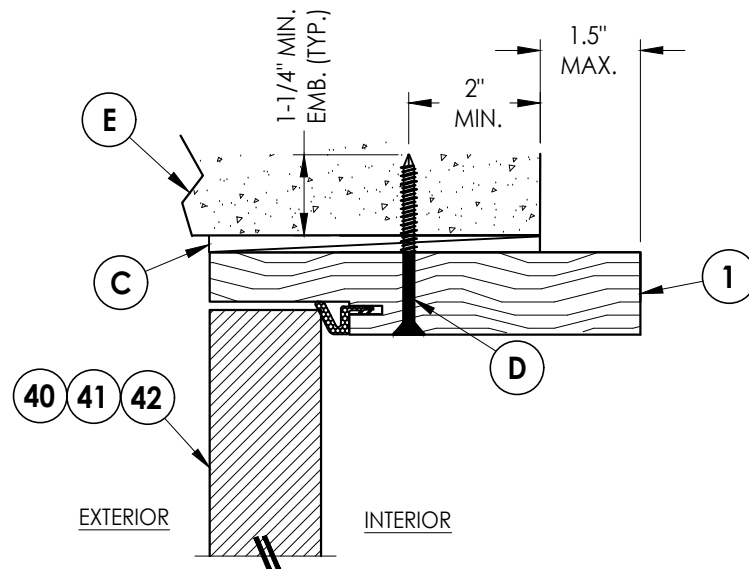
REVISIONS

DATE:	6/17/24
SCALE:	N.T.S.
DWG. BY:	RW
CHK. BY:	LFS
DRAWING NO.:	FL-46832.3
SHEET	6 OF 13



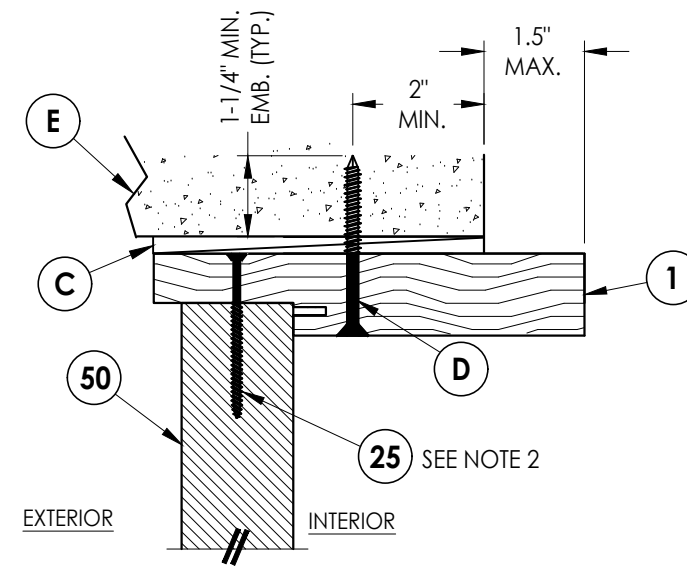
3 **VERTICAL CROSS SECTION**

7 Shown Direct to Masonry
Outswing only w/ 4-9/16" jamb
Double Door Only (N/A w/ Sidelites)



5 **VERTICAL CROSS SECTION**

7 Shown Direct to Masonry
Outswing only w/ 6-9/16" jamb

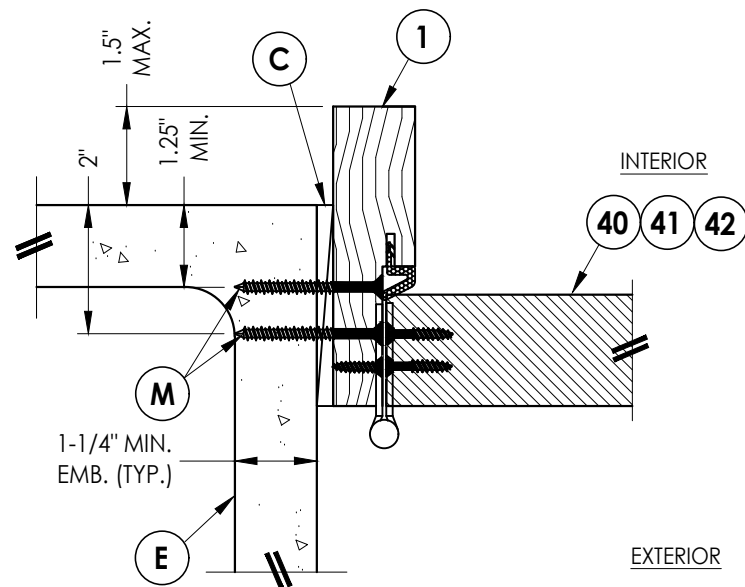


6 **VERTICAL CROSS SECTION**

7 Shown Direct to Masonry
Outswing only w/ 6-9/16" jamb

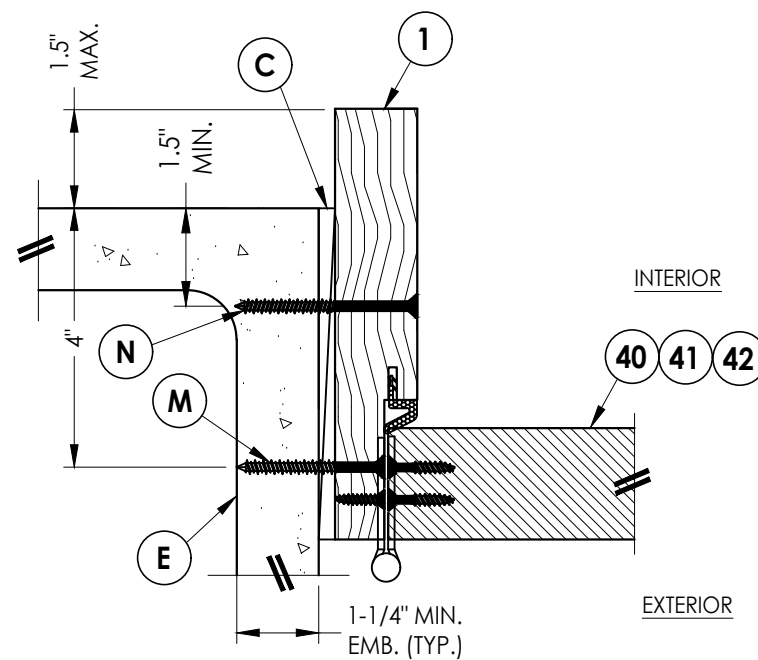
Note:

- Sidelite assembly screws located 6" from each end plus 6 more equally spaced between (8 screws total per side jamb).
- Sidelite assembly screws located 3" from each end & at centerline (3 screws total @ head).



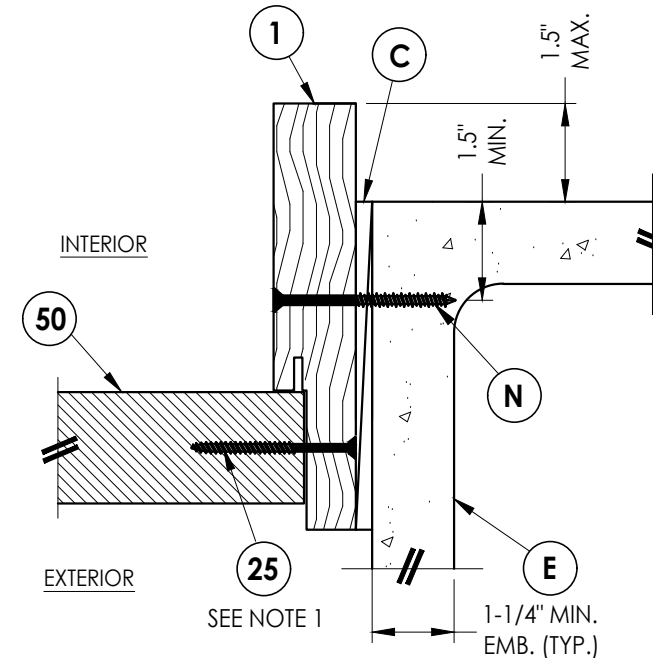
1 **HORIZONTAL CROSS SECTION**

7 Shown Direct to Masonry
Outswing only w/ 4-9/16" jamb
Double Door Only (N/A w/ Sidelites)



4 **HORIZONTAL CROSS SECTION**

7 Shown Direct to Masonry
Outswing only w/ 6-9/16" jamb



2 **HORIZONTAL CROSS SECTION**

7 Shown Direct to Masonry
Outswing only w/ 6-9/16" jamb

Documents Prepared By:
Lyndon F. Schmidt
P.E. No. 43409

RW BUILDING CONSULTANTS, INC.
P.O. Box 230, Vairico, FL 33595
Phone No.: 813.659.9197
FBPE Registry No. 9813

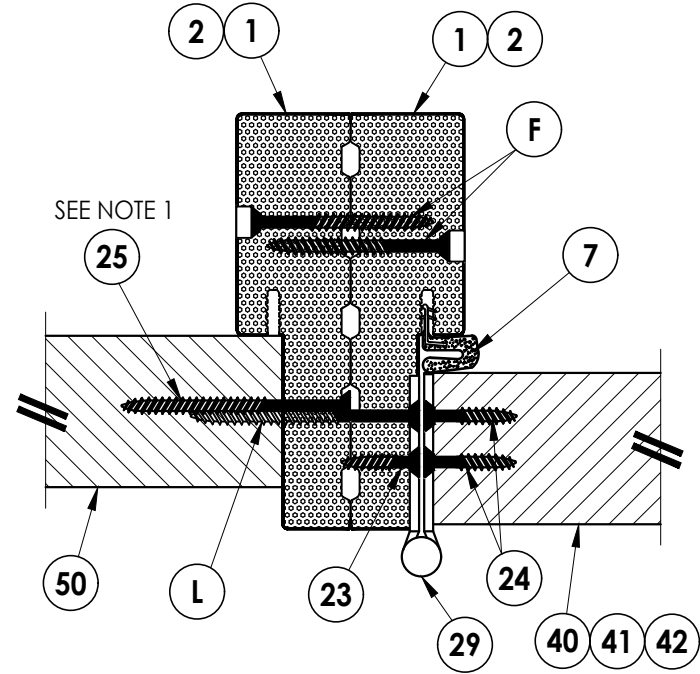
PRODUCT: THERMA-TRU
FIBERGLASS DOOR
PART OR ASSEMBLY:
HORIZONTAL & VERTICAL
SECTIONS (DIRECT TO MASONRY)

NO.	DATE	BY	REVISIONS

DATE: 6/17/24
SCALE: N.T.S.
DWG. BY: RW
CHK. BY: LFS
DRAWING NO.: FL-46832.3
SHEET 7 OF 13

Notes:

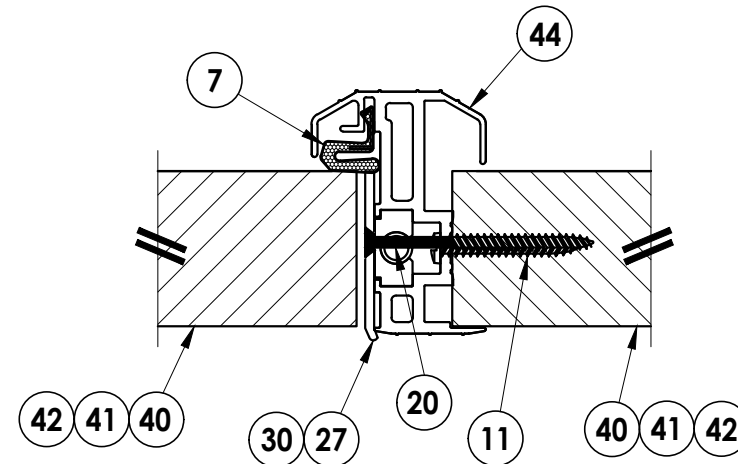
1. Sidelite assembly screws located 6" from each end and 6 more screws equally spaced between (8 screws total per side jamb).



SEE NOTE 1

1 HORIZONTAL CROSS SECTION
8 Outswing shown (Inswing similar)

INTERIOR



ASTRAGAL SCREWS
(11) TOTAL

2 HORIZONTAL CROSS SECTION
8 Outswing shown (Inswing similar)

EXTERIOR

Documents Prepared By:
Lyndon F. Schmidt
P.E. No. 43409

RW BUILDING CONSULTANTS, INC.
P.O. Box 230, Valrico, FL 33595
Phone No.: 813.659.9197
FBPE Registry No. 9813

PRODUCT:
THERMA-TRU
FIBERGLASS DOOR

PART OR ASSEMBLY:
HORIZONTAL CROSS
SECTIONS

NO.	DATE	BY	REVISIONS

DATE: 6/17/24

SCALE: N.T.S.

DWG. BY: RW

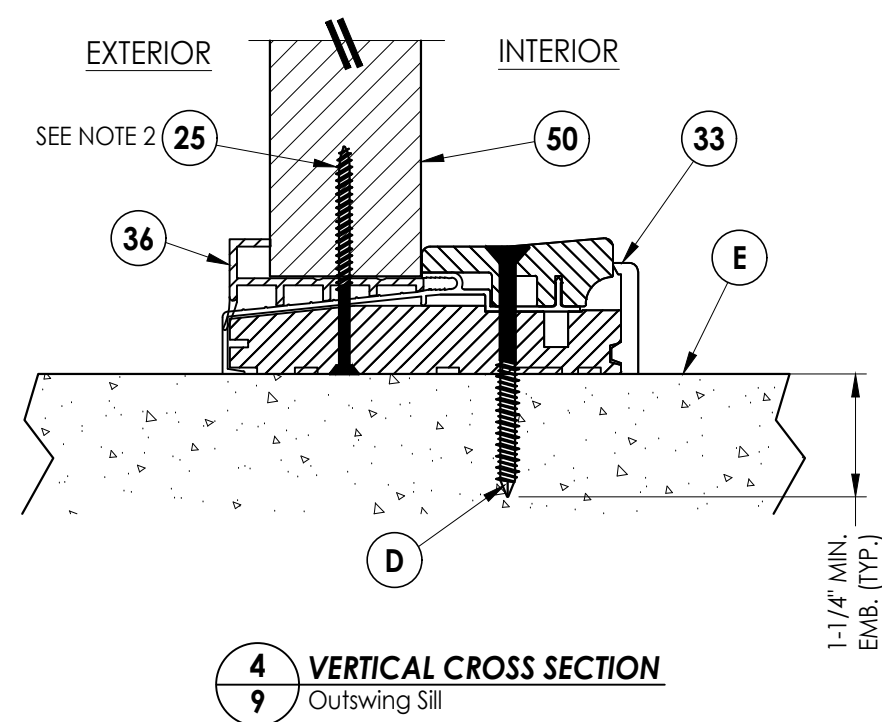
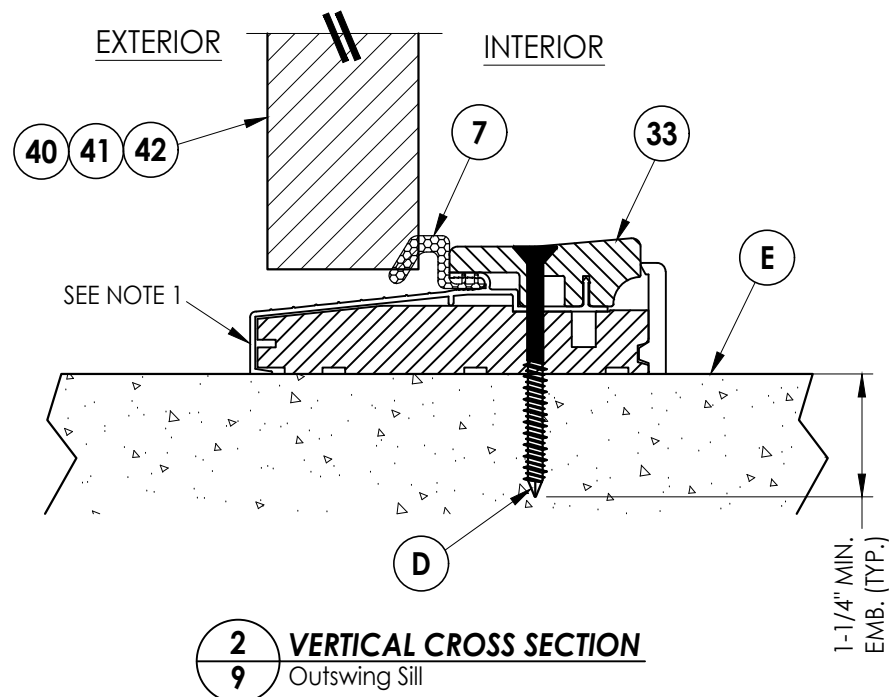
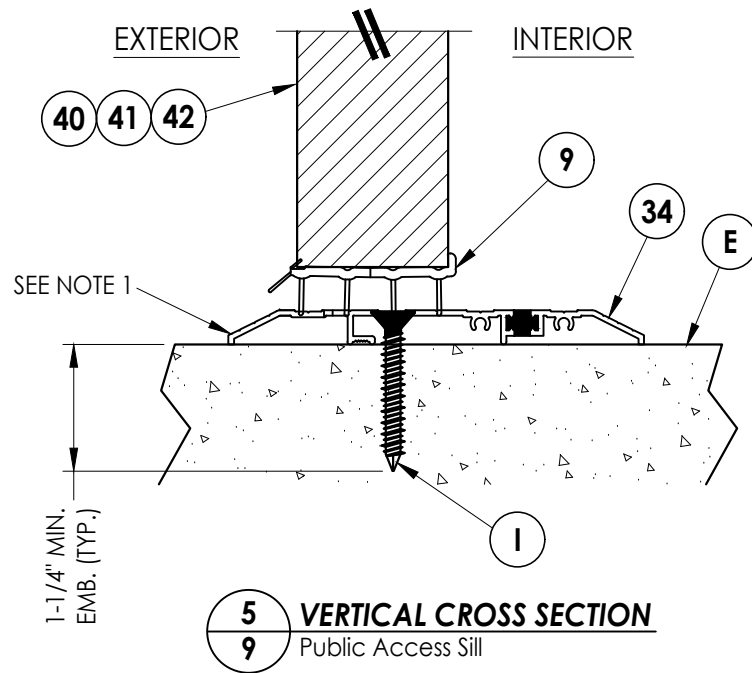
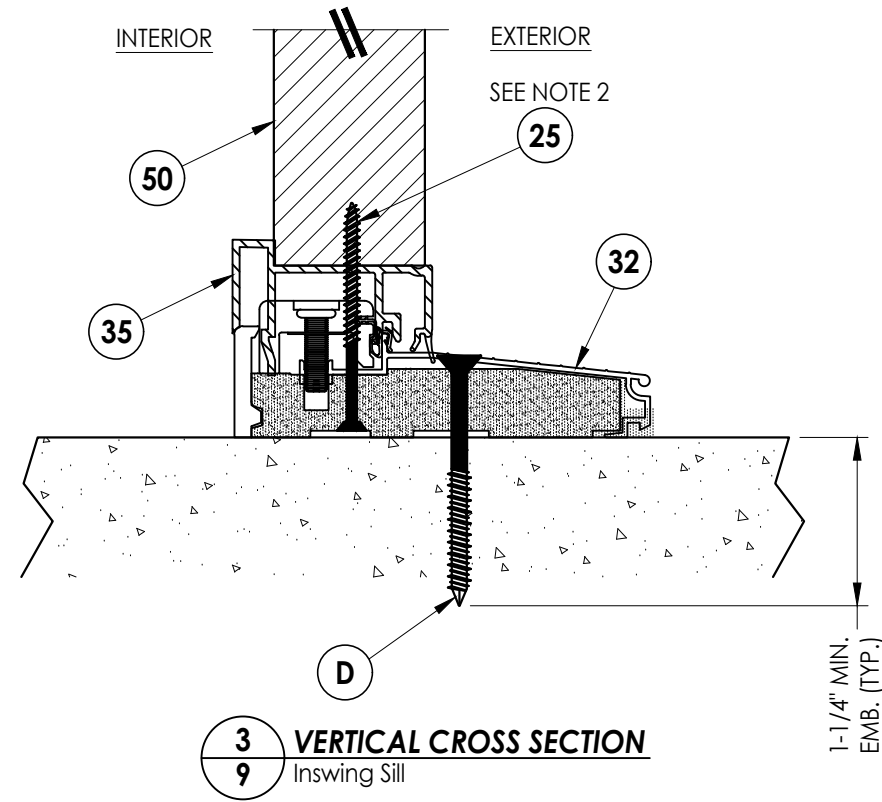
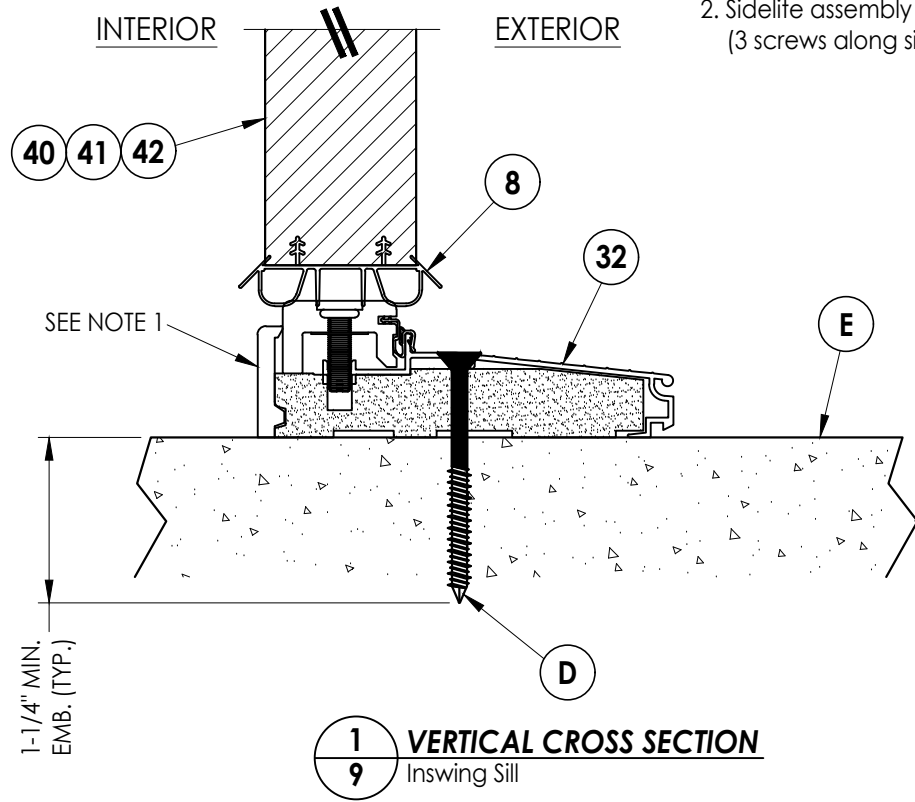
CHK. BY: LFS

DRAWING NO.:
FL-46832.3

SHEET 8 OF 13

Notes:

- Sill Item #32 is attached to jambs w/ (3) #8 X 2-1/2" pfh screws at each end.
Sill Item #33 is attached to jambs w/ (2) #8 X 2-1/2" pfh screws at each end.
Sill Item #34 is attached to jambs utilizing (2) #10 X 2" pph SMS at each end.
- Sidelite assembly screws located 3" from each end and @ centerline (3 screws along sill).



Documents Prepared By:
Lyndon F. Schmidt
P.E. No. 43409

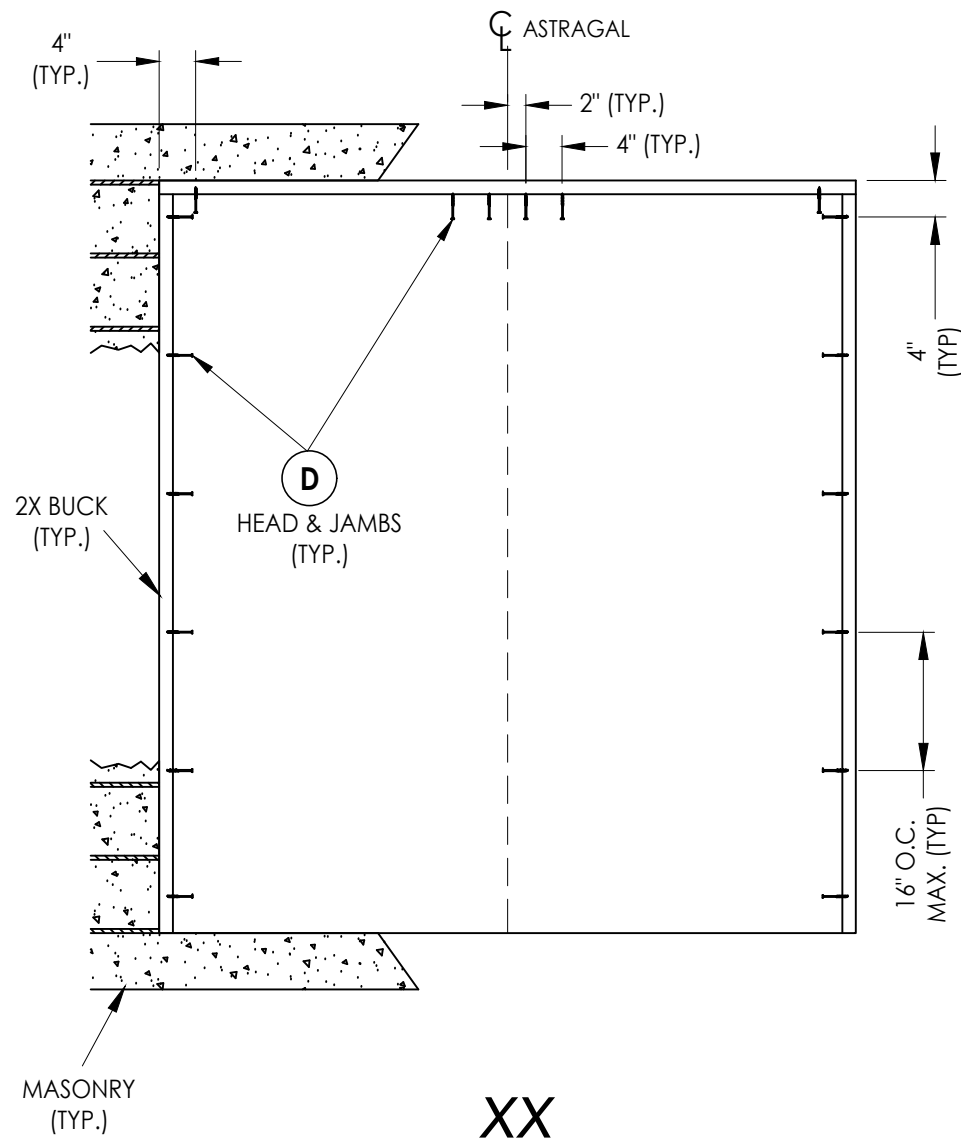
RW BUILDING CONSULTANTS, INC.
P.O. Box 230, Valrico, FL 33595
Phone No.: 813.659.9197
FBPE Registry No. 9813

PRODUCT:
THERMA-TRU
FIBERGLASS DOOR

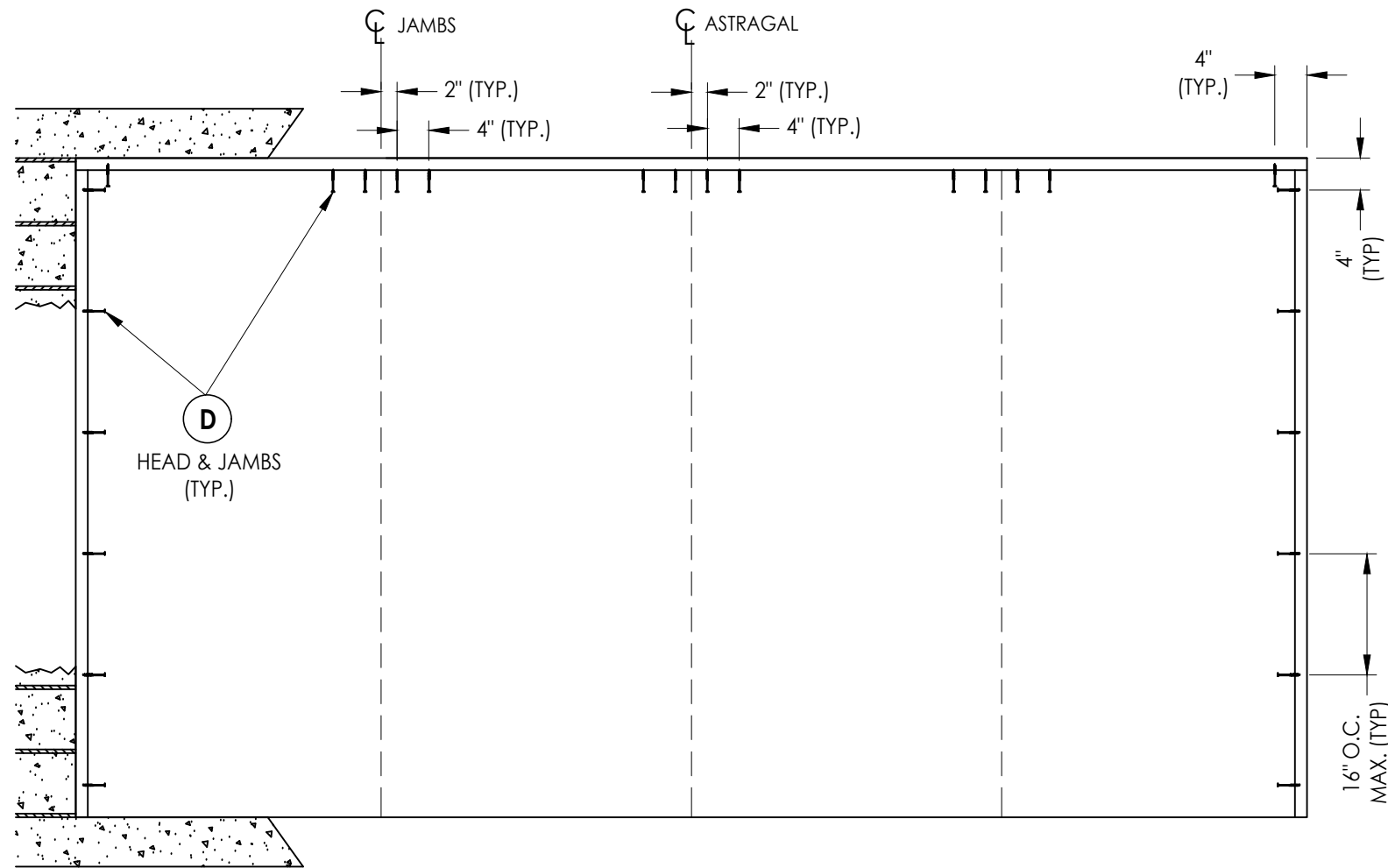
PART OR ASSEMBLY:
VERTICAL CROSS
SECTIONS (THRESHOLDS)

NO.	DATE	BY	REVISIONS

DATE: 6/17/24
SCALE: N.T.S.
DWG. BY: RW
CHK. BY: LFS
DRAWING NO.: FL-46832.3
SHEET 9 of 13



XX



OXXO

2X BUCK ANCHORING

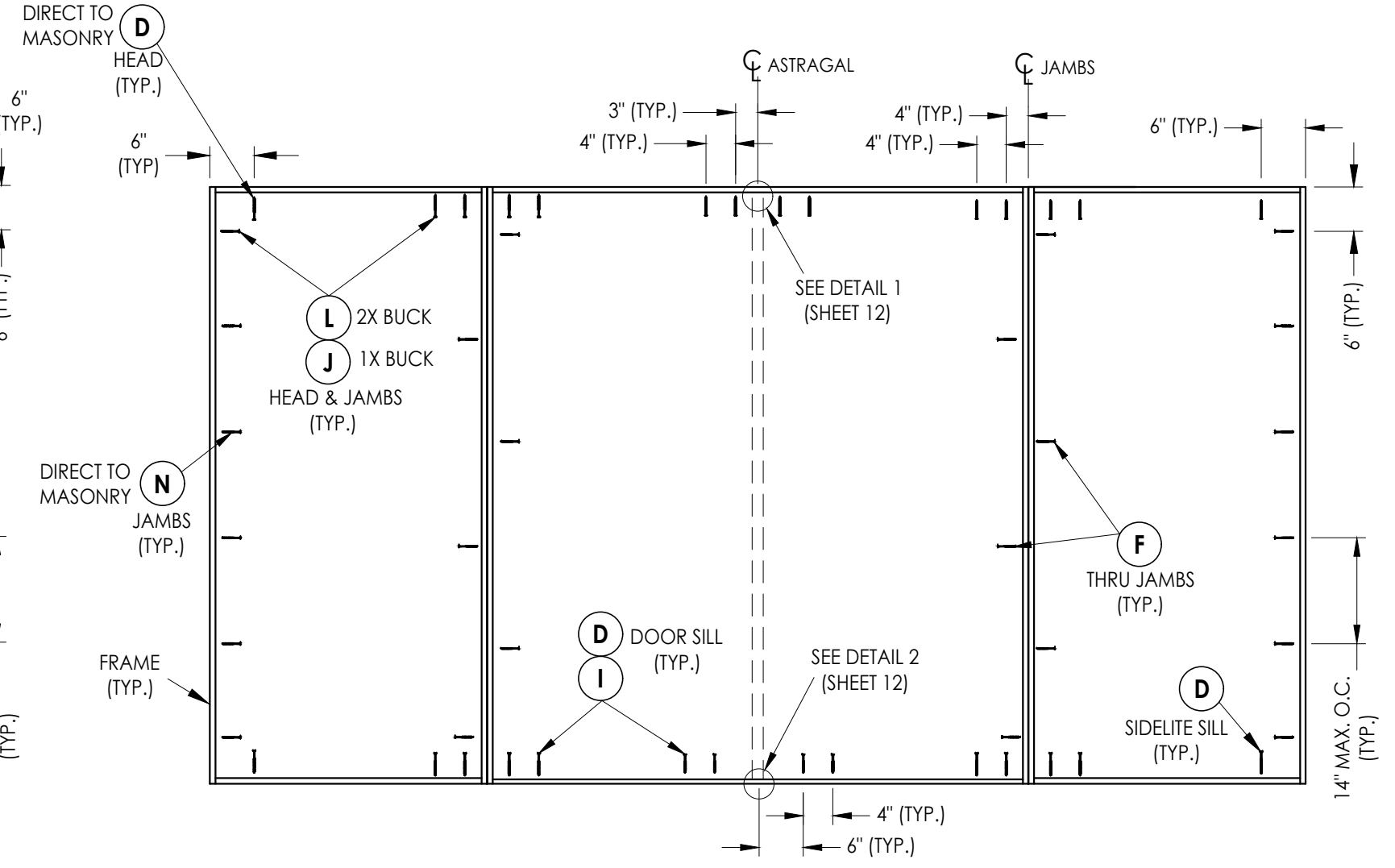
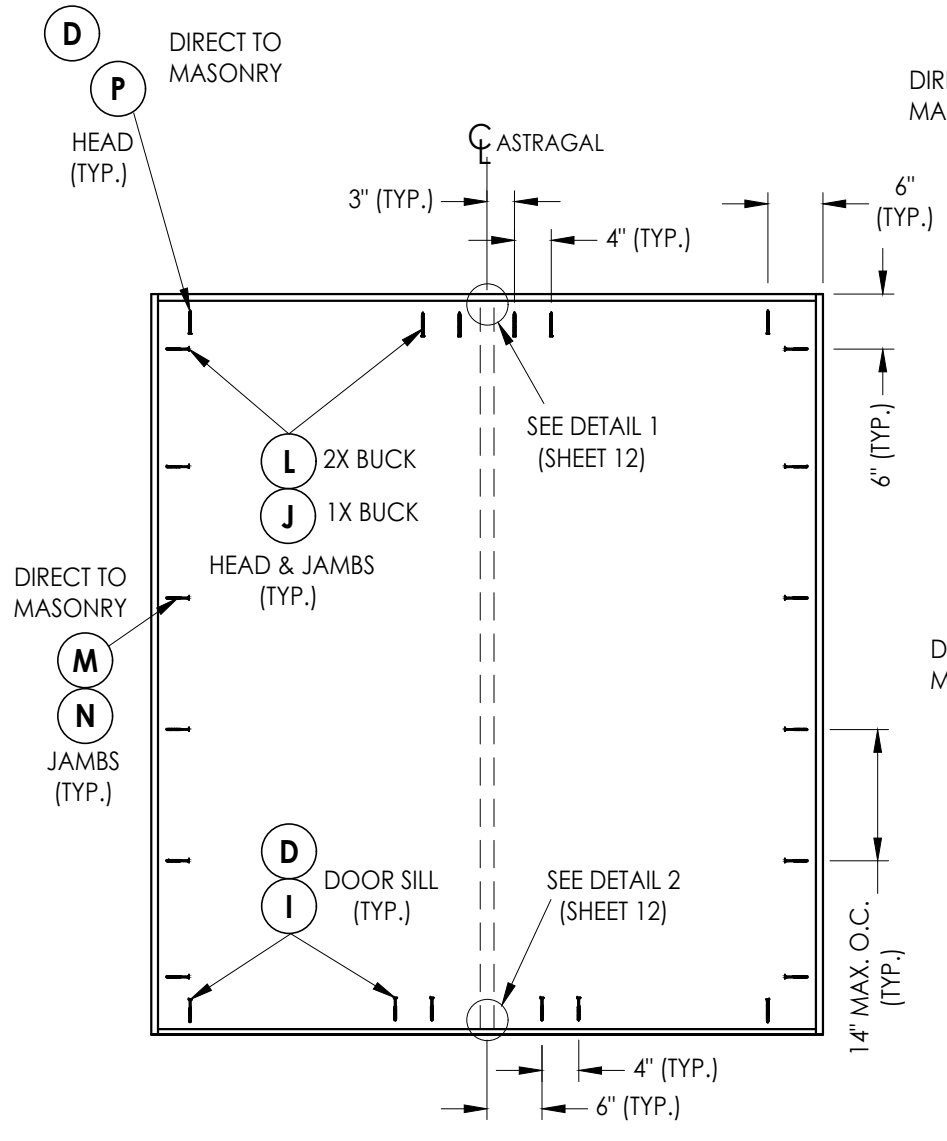
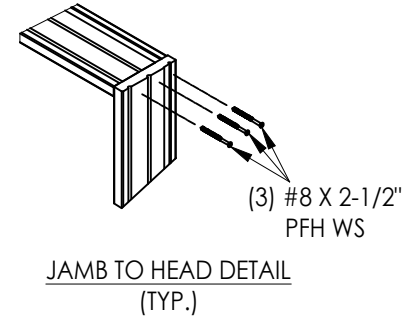
Documents Prepared By:
Lyndon F. Schmidt
P.E. No. 43409

RW BUILDING CONSULTANTS, INC.
P.O. Box 230, Vairico, FL 33595
Phone No.: 813.659.9197
FBPE Registry No. 9813

PRODUCT: THERMA-TRU FIBERGLASS DOOR
PART OR ASSEMBLY: BUCK ANCHORING

NO.	DATE	BY	REVISIONS

DATE: 6/17/24
SCALE: N.T.S.
DWG. BY: RW
CHK. BY: LFS
DRAWING NO.: FL-46832.3
SHEET 10 OF 13



XX

OXXO

FRAME ANCHORING

Documents Prepared By:
Lyndon F. Schmidt
P.E. No. 43409

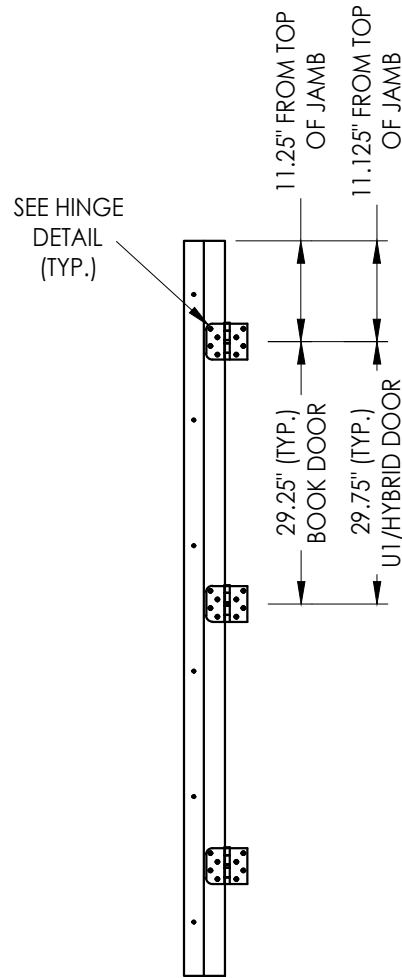
RW BUILDING CONSULTANTS, INC.
P.O. Box 230, Valrico, FL 33595
Phone No.: 813.659.9197
FBPE Registry No. 9813

PRODUCT:
THERMA-TRU
FIBERGLASS DOOR

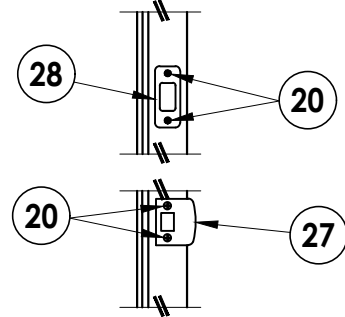
PART OR ASSEMBLY:
FRAME ANCHORING

NO.	DATE	BY	REVISIONS

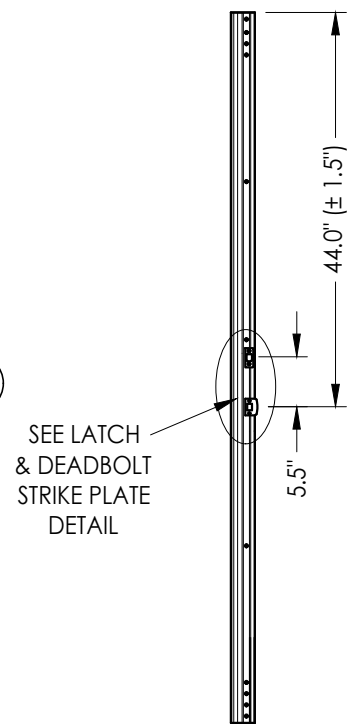
DATE: 6/17/24
SCALE: N.T.S.
DWG. BY: RW
CHK. BY: LFS
DRAWING NO.: FL-46832.3
SHEET 11 of 13



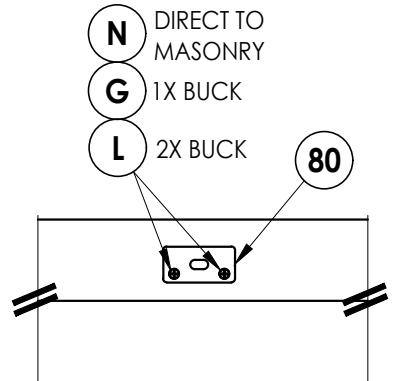
HINGE JAMB



LATCH & DEADBOLT DETAIL
Schlage / Kwikset

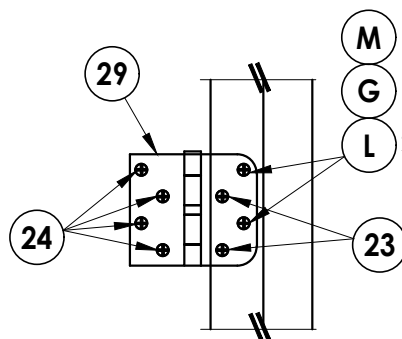


ASTRAGAL
Latch & Deadbolt

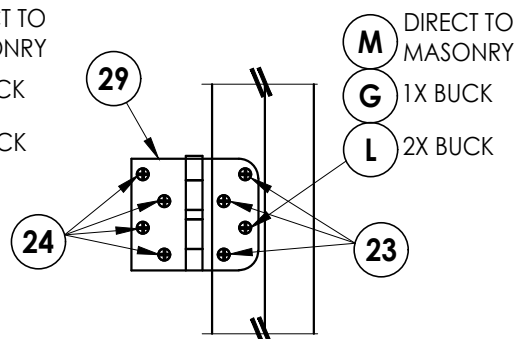


ASTRAGAL
Multipoint Lock

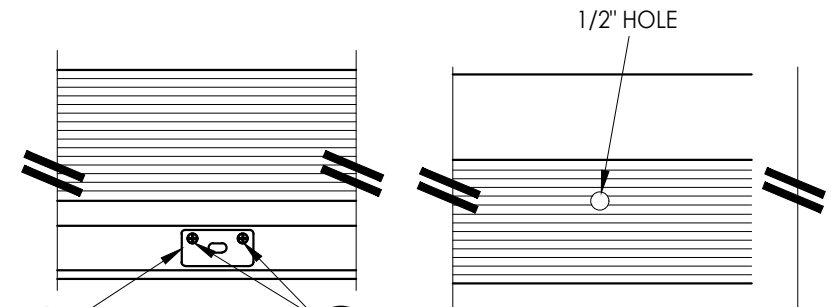
DETAIL 1
Coastal Astragal Strike Plate @ Head



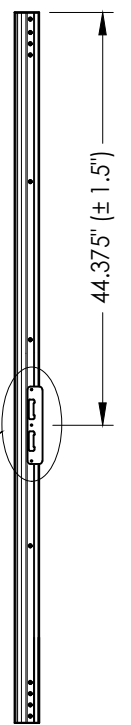
HINGE DETAIL
Inswing



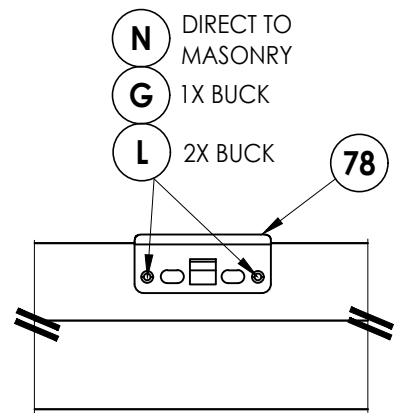
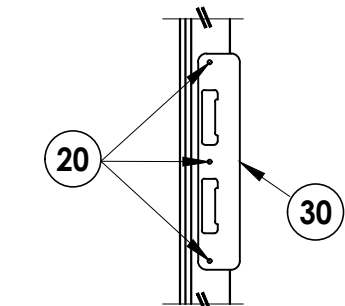
HINGE DETAIL
Outswing



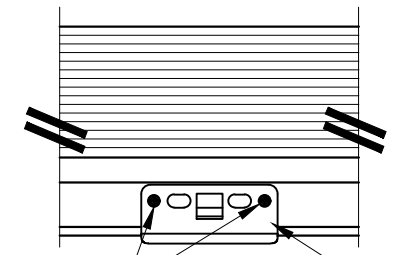
LATCH & DEADBOLT STRIKE DETAILS



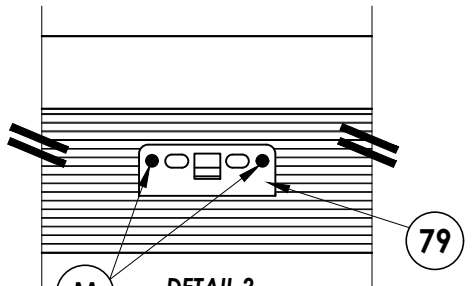
MULTIPOINT LATCH & DEADBOLT STRIKE PLATE DETAIL



DETAIL 1
Multipoint Lock Strike Plate @ Head



DETAIL 2
Inswing
Multipoint Lock Strike Plate @ Sill



DETAIL 2
Outswing
Multipoint Lock Strike Plate @ Sill

MULTIPOINT LOCK STRIKE DETAILS

Documents Prepared By:
Lyndon F. Schmidt
P.E. No. 43409

RW BUILDING CONSULTANTS, INC.
P.O. Box 230, Vairico, FL 33595
Phone No.: 813.659.9197
FBPE Registry No. 9813

PRODUCT:	THERMA-TRU FIBERGLASS DOOR
PART OR ASSEMBLY:	HARDWARE DETAILS

NO.	DATE	BY	REVISIONS

DATE:	6/17/24
SCALE:	N.T.S.
DWG. BY:	LFS
CHK. BY:	RW
DRAWING NO.:	FL-46832.3
SHEET	12 OF 13

